

EVERGREEN AVE

SCHOOL STREET

PROSSER STREET

N 2ND ST

JOINT SCHOOL DISTRICT #1  
 SILVER LAKE - SALEM  
 RIVERVIEW SCHOOL  
 300 E. PROSSER STREET  
 SILVER LAKE, WI 53170

Date	Revision Description

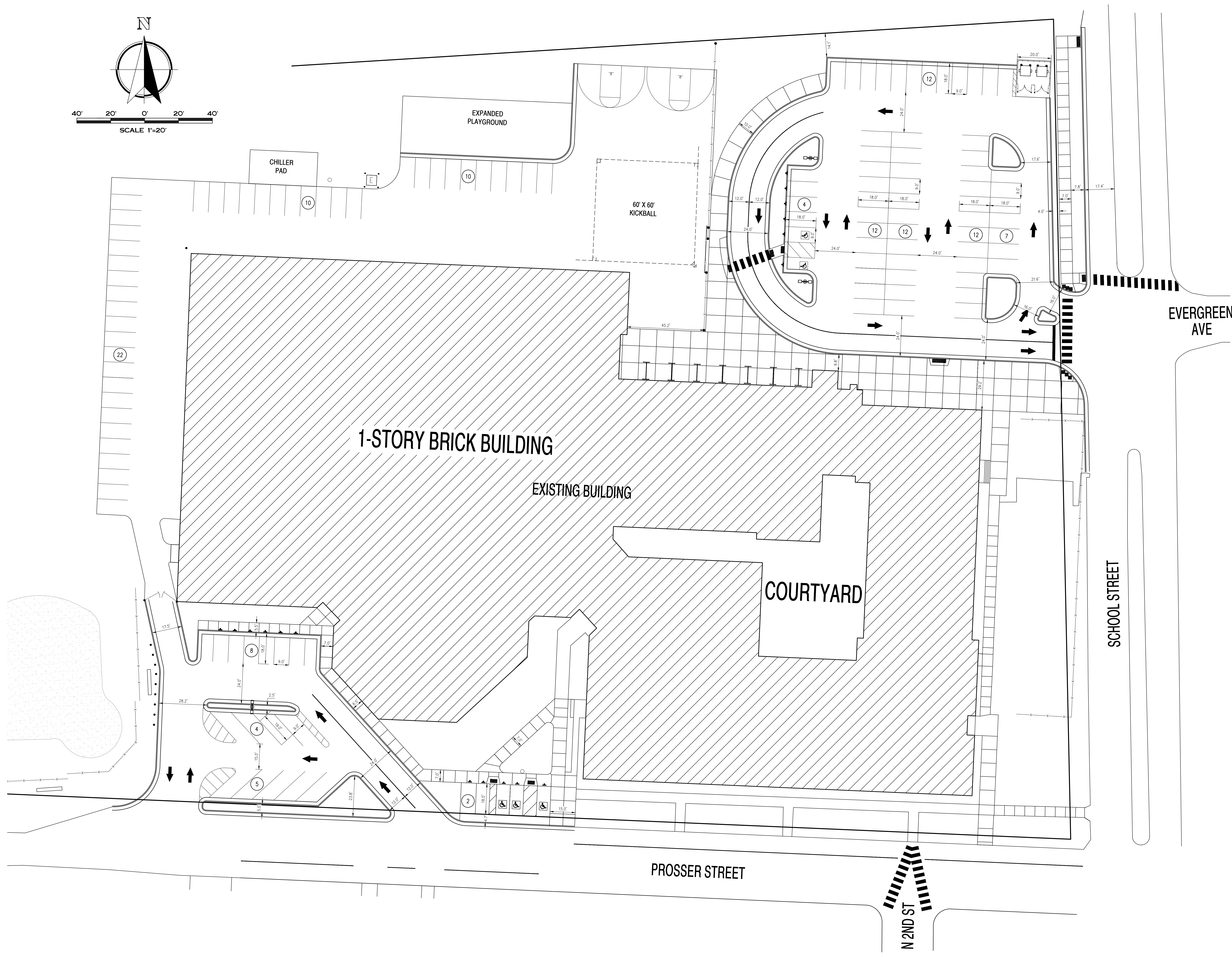
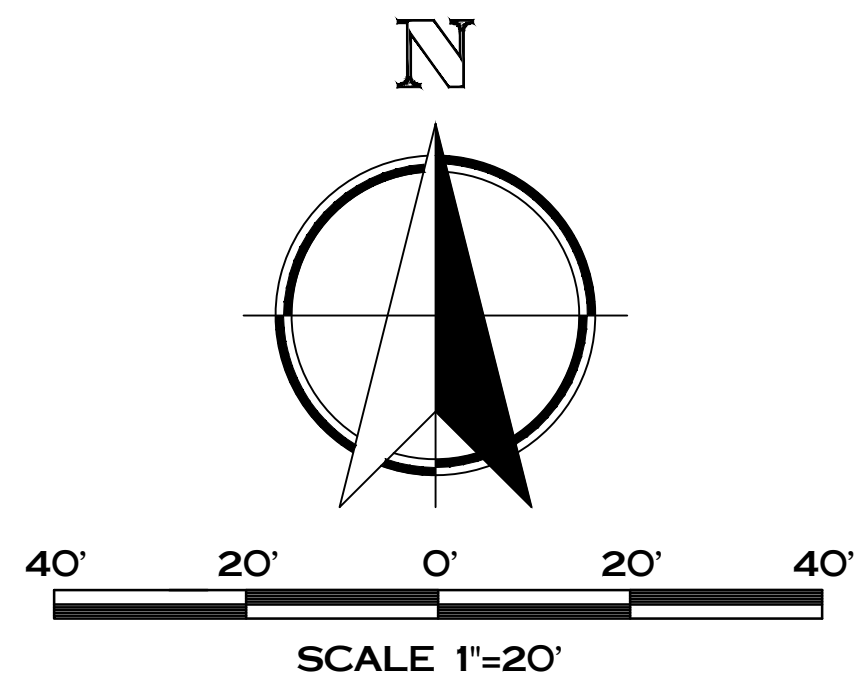
**CONSTRUCTION DRAWINGS**

DATE	10-22-14	PROJECT #	2013.0108.03
DRAWN BY	JC	CHECKED BY	MDE

DRAWING TITLE  
**CONCEPTUAL SITE PLAN**

DRAWING NUMBER  
**C1.01**  
 RS  
© Nexus Solutions, LLC





MADISON, WI  
 MILWAUKEE, WI  
 MINNEAPOLIS, MN

THIS DRAWING IS PROPERTY OF  
 NEXUS SOLUTIONS, LLC. USE OR REPRODUCTION  
 WITHOUT WRITTEN PERMISSION IS PROHIBITED.



**Nielsen Madsen & Barber S.C.**  
 Civil Engineers and Land Surveyors  
 1458 Horizon Blvd, Suite 200, Racine, WI 53406  
 Tele: (262)634-5588 Fax: (262)634-5024  
 Website: www.nmbcs.net

JOINT SCHOOL DISTRICT #1  
 SILVER LAKE - SALEM  
 RIVERVIEW SCHOOL  
 300 E. PROSSER STREET  
 SILVER LAKE, WI 53170

Date	Revision Description

**CONSTRUCTION DRAWINGS**

DATE	10-22-14	PROJECT #	2013.0108.03
DRAWN BY	JJC	CHECKED BY	MDE

DRAWING TITLE  
**DIMENSIONED SITE PLAN**

DRAWING NUMBER  
**C1.02**  
 RS  
 © Nexus Solutions, LLC